

**All Purpose Display & Storage Refrigerator**

Full height Internal LED  
“Twin” spread lighting

Dual magnet door  
sealing and plastic  
fascia, thermal break

Ducted air flow system  
for even temperature  
distribution

EMS controller using  
“smart memory  
functions” automatically  
saving you energy.

Easy access condenser  
Filter

Easy roll lockable  
castors



**High Energy Efficiency**

**Outstanding  
Energy Efficiency**

Brilliant LED Sign Panel

Automated and  
Manual  
Lighting control

Self closing  
toughened safety  
glass doors, double  
low E , Argon filled,  
incorporating the  
latest warm edge  
technology

Full Length Easy Grip  
Door Handle

Door sensor  
controlled fan

“Shhhh” whisper  
quiet operation  
utilising patented  
EBM Evap and  
Condenser fan motors  
adding, efficiency  
and unparalleled  
reliability to the new  
Evolution models.

Evolution is an **Easy Clip** fully removable, universal,  
refrigeration package (one package fits all models).

Proudly Australian Designed  
by The Orford Group



*With Evolution comes much responsibility. The Orford Group continues to develop World Class Energy reduction systems to improve the lives of our customers and future generations.*

IP protected by AUS DSN no 345317

1300 ORFORD (1300 673 673)  
+617 4641 7372  
sales@theorfordgroup.com.au  
www.theorfordgroup.com.au

PO Box 18120  
Clifford Gardens  
Queensland 4350  
Australia



# “Evolution” EB45R-Sn

## Three Door Vertical Display Refrigerator

### Features

#### **E** World class,

- Design
- Energy Efficiency
- Performance
- Quality
- Reliability

#### **E** Universal Refrigeration Package

- One package fits the entire EB Range
- Cassette Style: Removable without tools
- Minimal training required for

non-qualified personal to replace the package

#### **E** Energy Management System (EMS)

- Automatically learns you trading times
- Automates your energy savings
- Perishable and non-perishable mode

#### **E** Lighting Control

- Automated or manual control, you choose
- Independent switching of interior and sign lighting

#### **E** Condenser Fan Function

- Your choice of reversing or non-reversing function

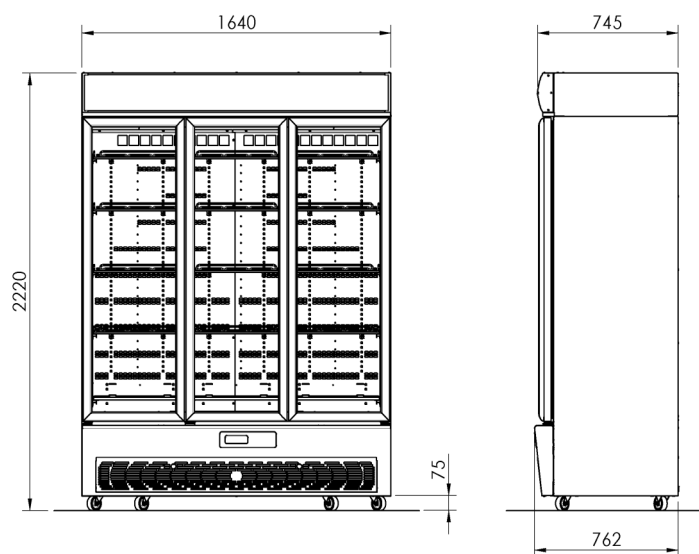
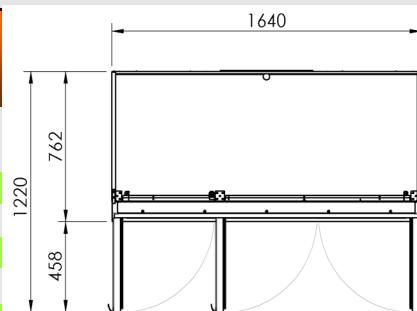
#### **E** Condenser Filter

- Easy Access filter: No tools, no covers to remove



### High Energy Efficiency

EB45R-Sn	Vertical Display Refrigerator with Illuminated Advertising Sign
<b>Specifications</b>	
Construction	Powder Coated galvanized steel Interior / Exterior White
Capacity	1384 Litres (Gross)
Dimensions	1640W x 762D x 2220H
Weight	265 Kg
Operating Temp	0° - 5° C.
Ambient Temp Range	0° - 40° C.
Power Point	220 - 240v 50Hz. (Standard GPO)
Input Current	3.2 Amps
Thermometer	Digital
Shelves	12 Height Adjustable Heavy Duty PVC Coated
Shelves	3 Fixed Stainless Steel Base Shelves
Shelf Adjustment	12mm Increments
Refrigerated Shelf Area	3.38 m <sup>2</sup>
Condensate Disposal	Automatic by energy efficient, No Cost, Hot Gas
Door	3 x Self Closing, Double Glazed Safety Glass, Double Heat reflective Low E, Warm edge
Footings	Heavy Duty Castors, Lockable Front
Interior Light	LED, Automatic and manual control
Refrigerant	R134a
Drier	Solid Core
Insulation	50mm Polyurethane, CFC, HCFC, HFC Free
Cabinet Classes	3M1, 4M1, 5M1
MEPS	Compliant (High Efficiency)
* Energy Consumption	6.03 kWh/24h
Condenser Filter	Easy front access
Illuminated Advertising Sign	200mm High, Top Mounted
Sign Illumination	LED, Automatic and manual control



\* Energy Consumption measured at 25°C. Cabinet Class 3M1 as per Australian Standard AS1731